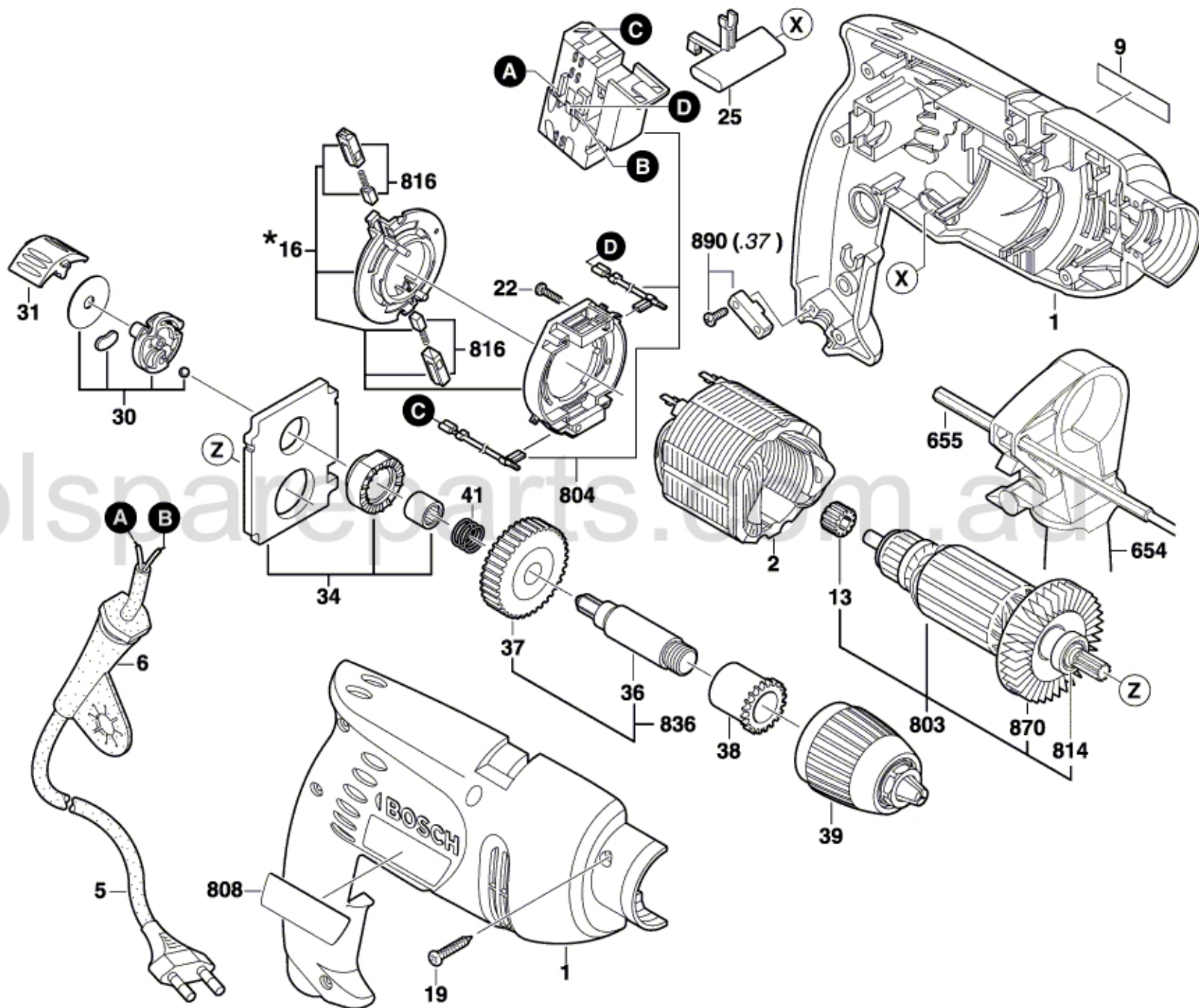
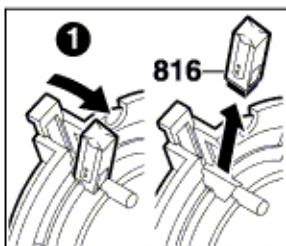
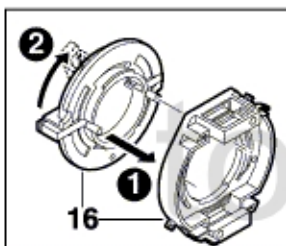


0 603 387 703

Stand } 13-02-15
Issue } 13-02-21 **Fig. /Abb. 1**

* Montage
assembly
position de montage
position de montage



Änderungen vorbehalten
Modifications reserved
Modifications reserves
Salvo modificaciones